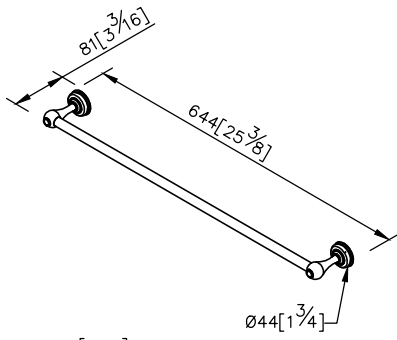


Towel Bar
6703-10-80CP



unit: mm[inch]

- 1.Brass of casting body meets ISO CuZn40Pb standard.
- 2.Premium metal construction for durability.
- 3.Justime finishes resist corrosion and tarnish.
- 4.Finish meets the standard of ASTM-SC2.
- 5.Material of Screw : Stainless steel SUS 304.
- 6.Correctly installed product's loading is 4 kgf.
- 7.Coordinates with other products in Classik collection.

