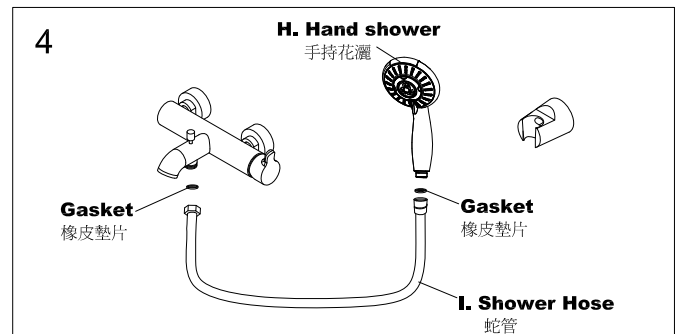
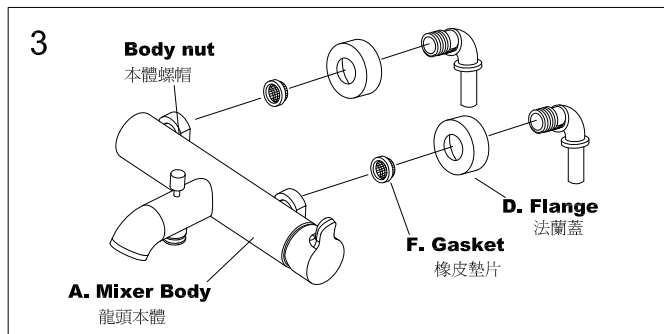
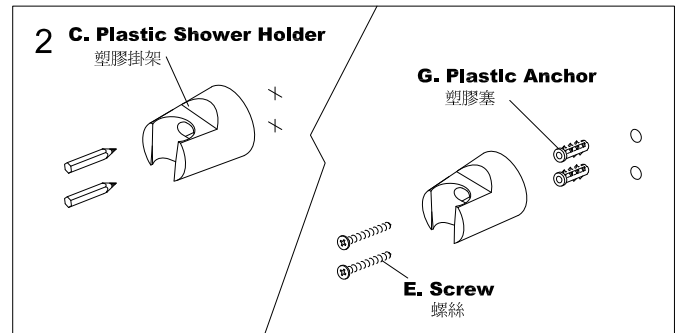
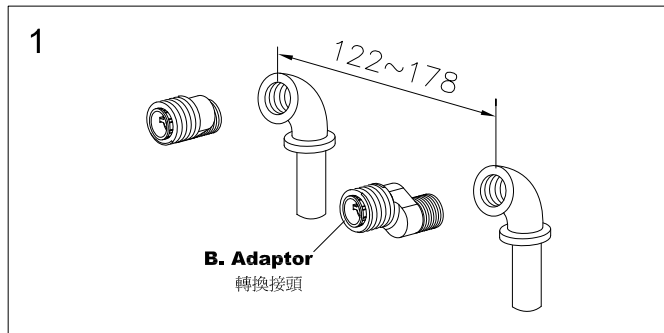


# INSTALLATION INSTRUCTIONS

## SHOWER MIXER

### 淋浴龍頭安裝說明



#### CAUTION : Risk Of Product Damage.

注意：為增加產品使用壽命，請依說明清潔供水管路。  
When finished installation, turn the valve on and run for 1 minute before using.  
完成安裝後，需在使用前先把供水開關全開排水持續一分鐘。

- The available distance between two centers of wall water-outlet can be 122~178mm. Apply pipe compound or thread sealant tape to the thread of **Adaptor** 1/2" end, and screw it into wall water-outlet as Fig.1 shown.  
凡牆壁上冷熱出水孔中心距離在122~178mm者，皆可適合安裝本產品。將轉換接頭1/2"牙塗上管牙膠或包覆止洩帶，再鎖入牆壁出水口。(圖.1)
- Cover **Flanges** onto both 3/4" end of **Adaptors**, then insert **Gaskets** into each body-nut and screw the body-nut onto **Adaptors** 3/4" end and tighten fixed as Fig.2 shown.  
將2法蘭蓋各別裝上轉換接頭的3/4"那邊，然後將墊片各別裝入本體螺帽，並且將本體螺帽鎖在轉換接頭3/4"那端鎖緊固定。(圖.2)
- Plastic Shower Holder Using **Shower Holder** as a template, mark and drill at proper position. When mounting on drywall, use 6mm drilling bit to drill holes in marked position, and insert **Plastic Anchors**, then install Brass Shower Holder as fig.2(b) shown as Fig.3 shown.  
先決定塑膠掛架欲安裝之位置，利用塑膠掛架上兩孔用鉛筆畫兩個基準點，再使用6mm鑽頭於牆上記號鑽孔。填入塑膠塞並使之齊平於牆面，將塑膠掛架以螺絲鎖緊在牆上。(圖.3)
- Connect **Shower Hose** with gasket to **Mixer Body** and **Hand Shower** as Fig.4 shown.  
將蛇管含墊片固定在龍頭本體與手持花灑。(圖.4)

## FIXING CONTENTS

### 組配件內容

